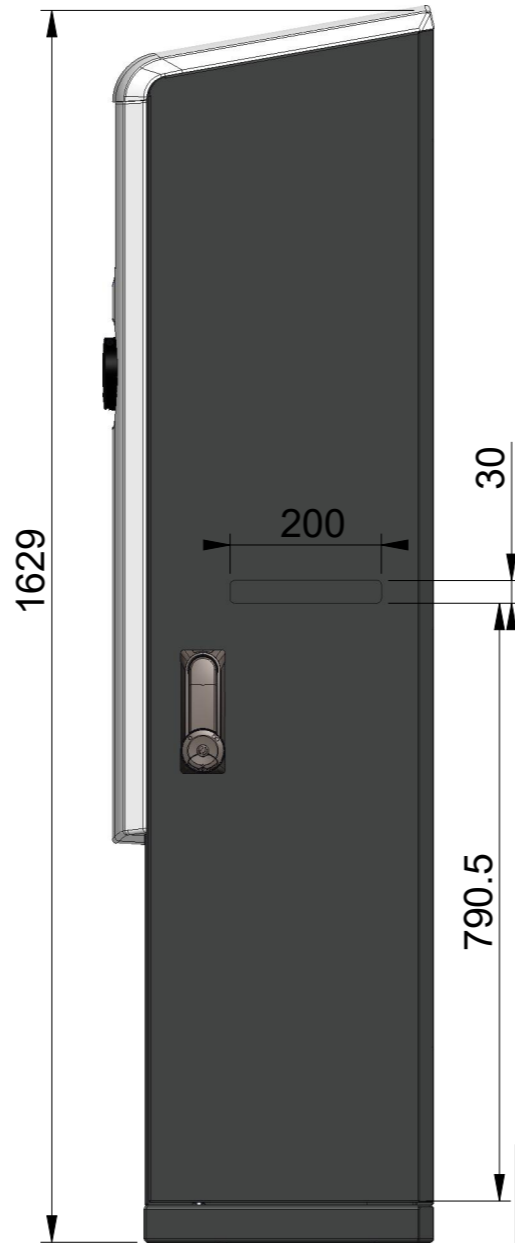
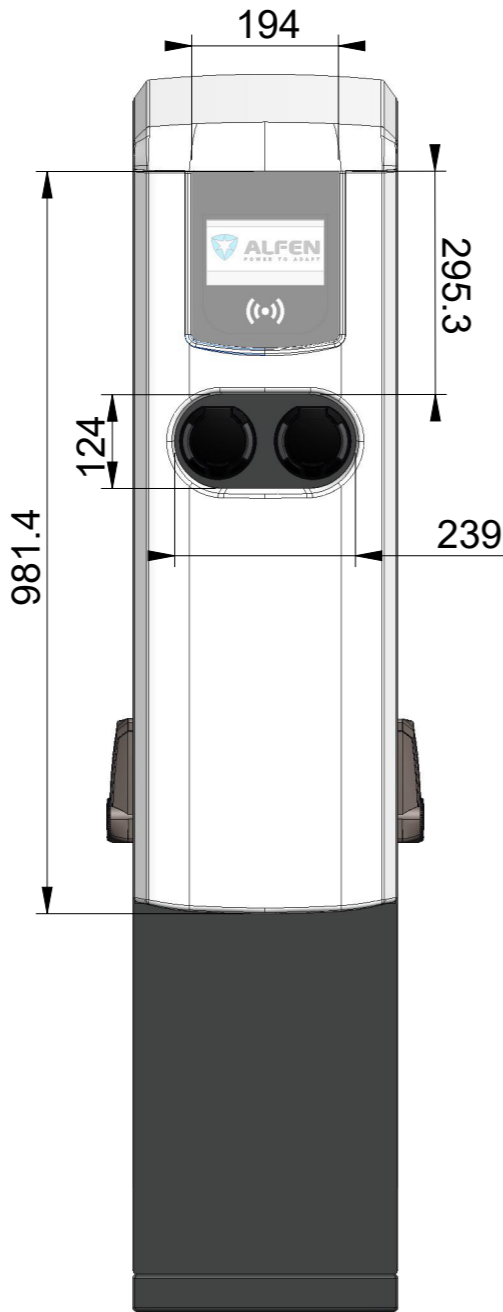
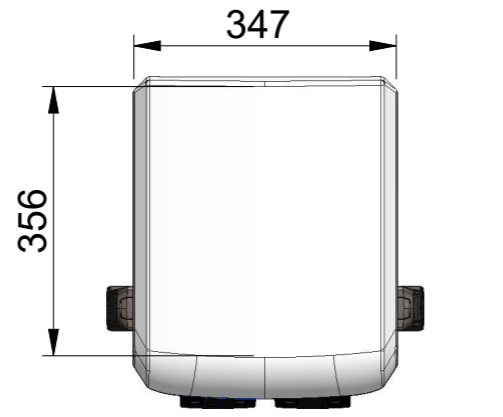
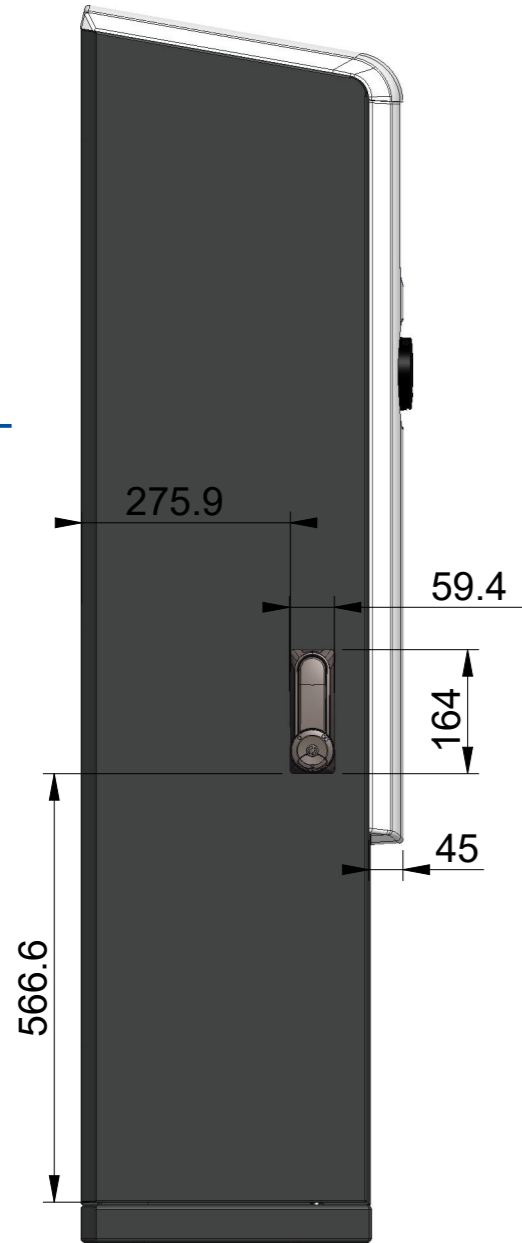


These designs are the intellectual property of Alfen B.V. in Almere, the Netherlands, and shall remain confidential. The information in this document may not be reproduced and/or published by print, photo copy, microfilm or any other method without the prior express consent of Alfen B.V.

Revision  
 A. B. C. D. E. L.



material		tol.principle NEN-EN-ISO	if not specified tolerance	roughness NEN-EN-ISO	american projection 
finishing	ALFEN instruction --	14405-1	ISO 2768-mK	1302	dimensions in mm
assembly					material.nr
					replaces
detail					model 904462001-BRANDING
					drawing nr 904462001-BRANDING
		order number	mass 56.851 kg	size	scale
		--	10-09-19	DEVELOPMENT-A3	1/10
designed	article number	drawing state	rev.		
LINW	904462001-Branding	Released	-		